

**m h-q96 0**

**Musthong MH-Q96 0**

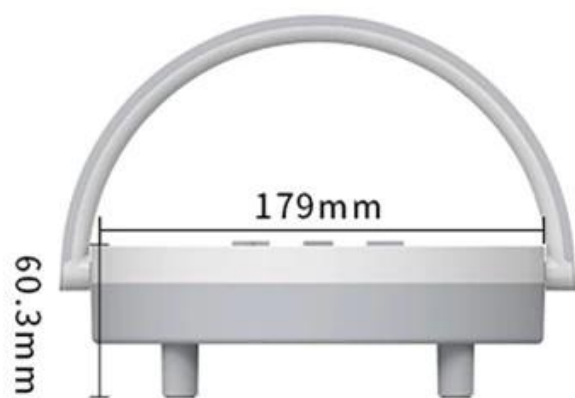
- \* 3
- \* Musthong LED 15W
- \* 5.0 5.0 33
- \* 180

">

- \* QI
- \* 5V-3A/9V-2A/12V-1.5A
- \* 5W/7.5W/10W/15W/15W
- \* 1.5W
- \* 5W
- \*  $\leq 10$
- \* snr  $\geq 70$ dB
- \* 9
- \*  $\geq 73$
- \* 204\*191\*58.7
- \* ABS

- \* LED 3
- \* 10W iPhone 7.5W

this QC3.0 c d





Musthong

Musthong Ltd.

2003 Tymin Industries Limited OEM/ODM 2014

OEM/ODM

CE ROHS FCC Qi Cortelco/ HRS Global/ borne/ berdman/ b m/ itek/ itek/ brondi/ oricom/ oricom/ elgin/ loft/ loft/ mitzu/ tcl



0000000000  
0000100000000000000000

00200000000000000000

00300000000000000000  
00400000000000000000



-  Melon Zhang
-  [melonzhang@musthong.com](mailto:melonzhang@musthong.com)
-  melon-zhang93
-  +86-18565726331
-  [www.musthong.com](http://www.musthong.com)